

4-channel analogue output

μCAN.4.ao-SNAP

4-channel analogue output for current or voltage signals with 16 bit resolution

The decentralized measurement data acquisition module **μCAN.4.ao-SNAP** is designed for output of up to four analogue signals.

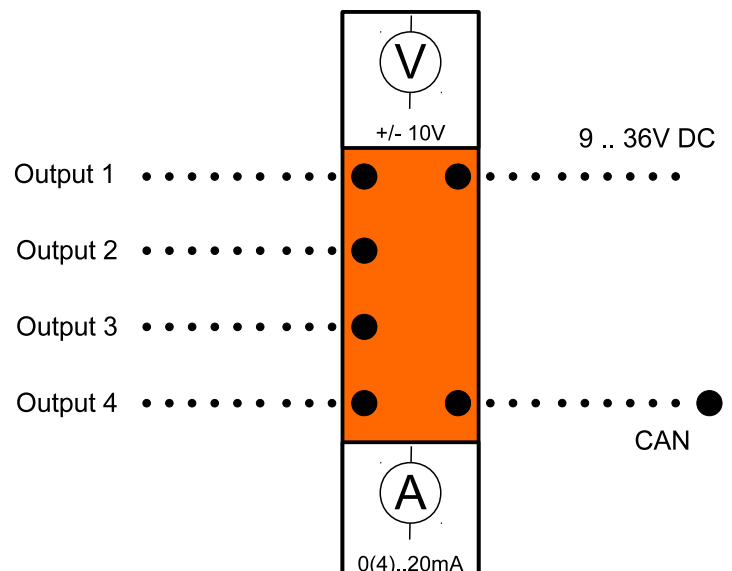
Due to its slim and compact structure the module is ideally suited for DIN-rail mounting in control cabinets.

Pluggable screw connectors facilitate quick exchange of the **μCAN.4.ao-SNAP**.



Features

- Output of up to 4 analogue signals at a resolution of 16 bit for standard signals of ± 10 V, 0-20 mA and 4-20 mA
- Standard protocol: CANopen CiA 404
- Implementation of customer specific protocols possible
- Indication of device state and errors by LED



Technical Data	Analogue output μ CAN.4.ao-SNAP
Number of channels	4
Power supply voltage	9...36 V DC, reverse polarity protected
Power consumption	3 W (125 mA @ 24 V DC)
Electrical isolation	Channels/control voltage: 500Veff, Fieldbus/control voltage: 500 Veff
Operating temperature	-40 °C...+85 °C (others upon request)
Bit rate	50 kBit/s to 1 MBit/s
Protocol	CANopen CiA 404 / CAN 2.0A and 2.0B / others upon request
Number of PDOs (CANopen)	4 Receive PDOs
Configuration	Signal type (voltage / current) via fieldbus Bit rate and module address via DIP switch
Status indication	LED status indication
Protection Class	IP20
Casing	DIN rail casing 22.5 x 128.8 x 102.0 mm (B x D x H)
EMC	EN 61000-6 compliant
Resolution / conversion time	16 bit / 20 μ s for 4 outputs
Signal type / Accuracy @ 23°C ambient temperature	+/-10 V DC , 0-20 mA, 4-20 mA accuracy 0.01 % fsd.

Order Number	Description
10.42.007	μ CAN.4.ao-SNAP 4-channel analogue output module, +/-10V or 0(4)..20 mA with 16-bit resolution for DIN rail mounting, CANopen interface (CiA 404) with galv. isolation. Signal wiring via COMBICON connectors.
10.42.008	μ CAN.4.ao-SNAP / BUS 4-channel analogue output module, +/-10V or 0(4)..20 mA with 16-bit resolution for DIN rail mounting, CANopen interface (CiA 404) with galv. isolation. Signal wiring via COMBICON connectors. Integrated bus- / voltage connector for side-by-side stacking of further SNAP modules.